



GP3-R

THROAT MIC HEADSET

MODEL NUMBER: IAGP3R-BASIC / IAGP3R-BASIC-BK

Congratulations on purchasing the IASUS GP3-R Throat Mic!

This upgraded Noise Terminator system features the advanced IASUS Gen 3.0 Transponder Microphone, a 3.5mm output module, a comfortable neck strap, and a versatile multi-adaptor system for various applications. The reengineered GP3-R is the communications solution for daily handsfree speaking, and is ideal for paintball, airsoft, motorsports, extreme sports, and PC/console gaming.

You must register your product to be eligible for warranty service.* To register online, please visit the IASUS Concepts website at:

*To receive warranty service, you will need to provide a copy of your dated sales receipt to confirm warranty status. Please retain the original copy for your records.

ABOUT THIS MANUAL

We recommend reviewing this instruction manual in its entirety before using your GP3-R series throat mic.

It explains the GP3-R's features, how to set it up, and correct operation for a rich user experience that you come to expect from the best performing throat mic on the market today.

WARNINGS

Any changes or modifications to this product not expressly approved by IASUS Concepts Ltd. could void the 1-year limited warranty. Should there be any questions or concerns about modifications, please contact IASUS.



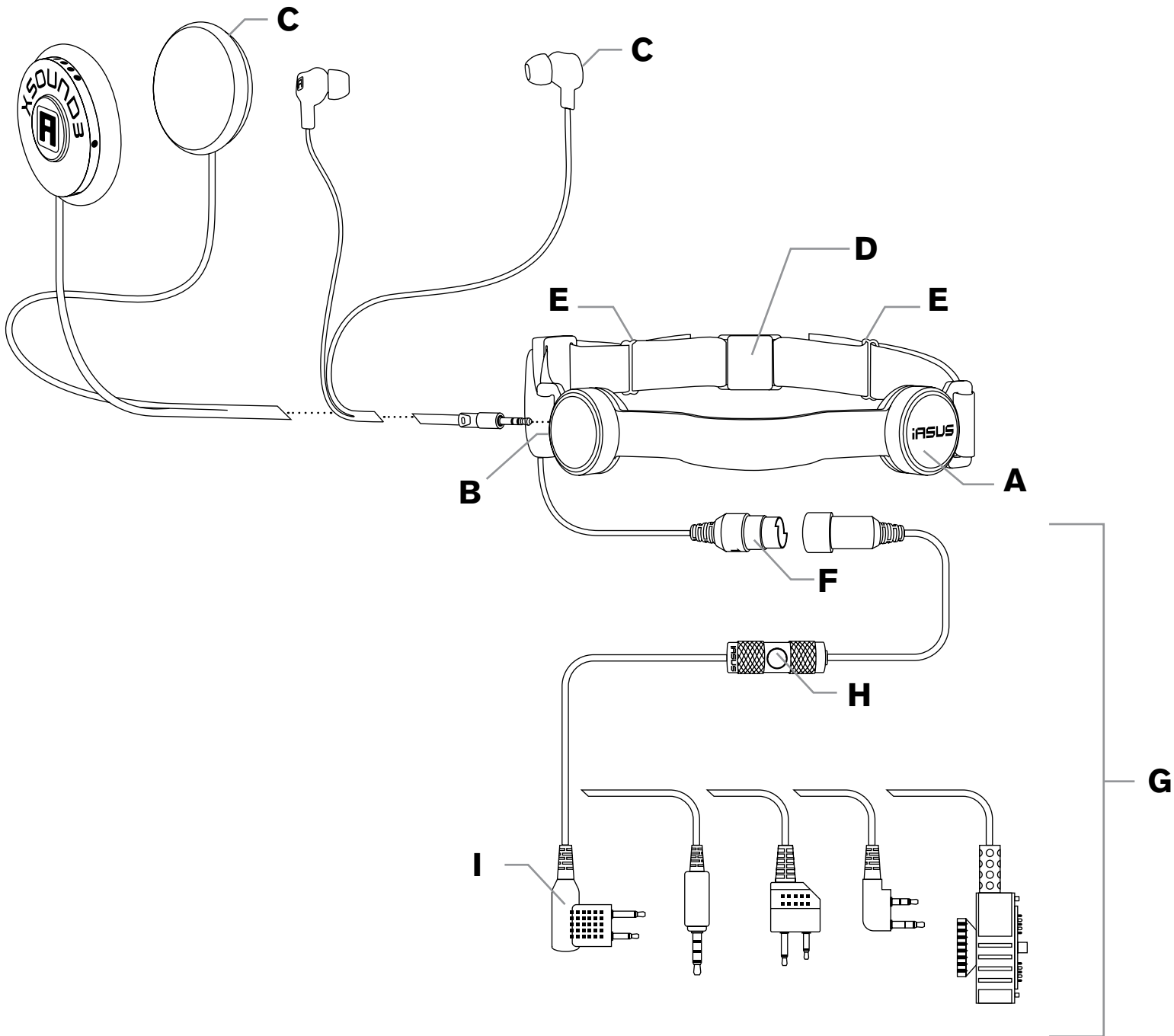
CAUTION

Do not operate your device at high volume levels when using the GP3-R Throat Mic Headset. Hearing experts advise against continuous exposure to high volume levels. If you experience ringing in your ears, discontinue using the GP3-R. If using the GP3-R in a noisy environment, we strongly recommend using an earplug in the ear opposite the throat mic earpiece to safeguard your hearing.

TABLE OF CONTENTS

PARTS & CONTROLS REFERENCE.....	4
USING THE GP3-R	5
3.5MM OUTPUT MODULE	6
MAGNETIC BREAKAWAY CLASP.....	6
M2 ADAPTER	7
USE AND CARE	8
TROUBLESHOOTING.....	9
1-YEAR LIMITED WARRANTY	10

PARTS & CONTROLS REFERENCE

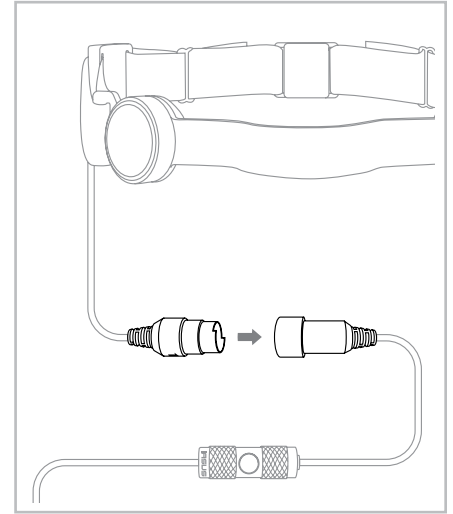
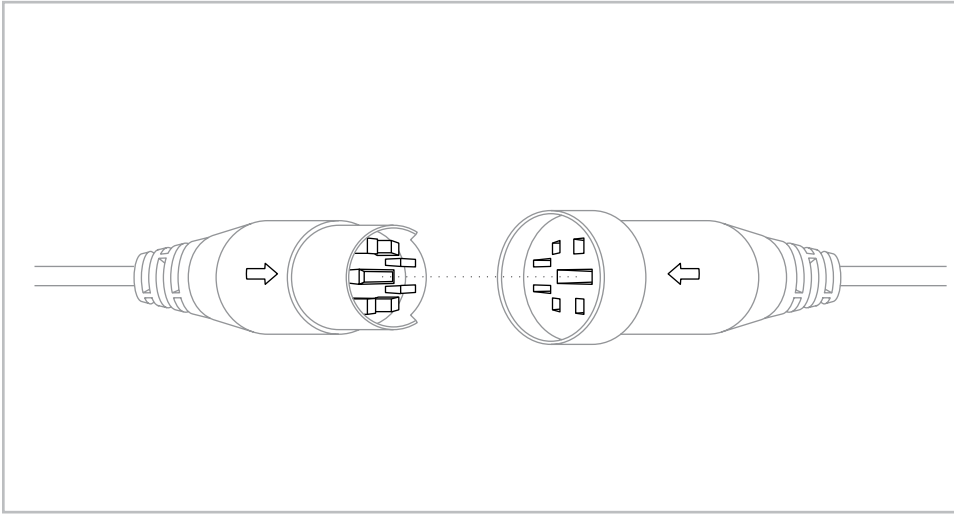


- A**..... Gen 3.0 Transponder Microphone
- B**..... 3.5mm Audio Output
- C**..... XSound 3 Helmet Speakers (Sold Separately)
IA earbuds (Sold Separately)
- D**..... Magnetic Breakaway Clasp
- E**..... Neck Strap Adjusters
- F**..... DIN Plug

- G**..... M2 Adapter (Sold Separately)
- H**..... PTT Button
- I**..... Connector to Device

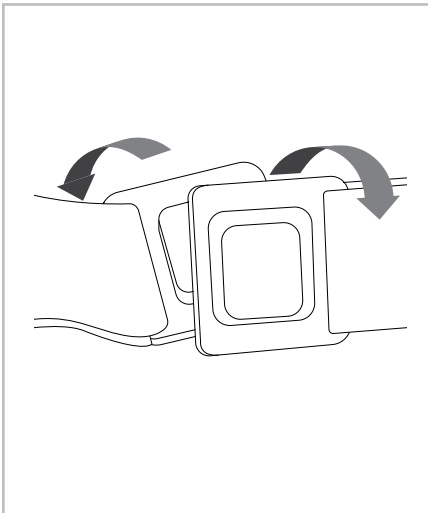
USING THE GP3-R

1. Plug the throat mic into the M2 Adapter (G, sold separately) using the DIN connectors (D).
Be sure to align the arrow indicators before firmly pressing them together to avoid bending the pins.

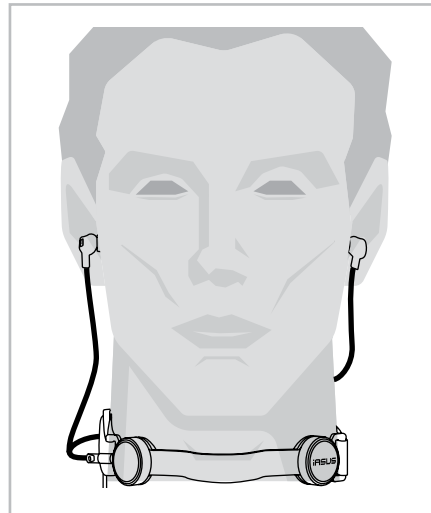


2. Plug the M2 Adapter's connector (I) into your device.

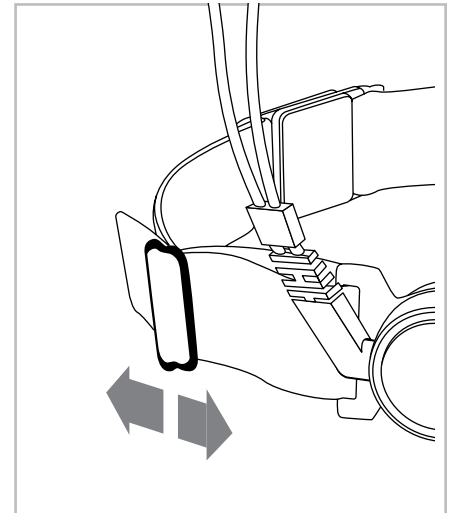
3. Wearing the throat mic:



I. Open the magnetic breakway clasp by twisting them apart.



II. Place the throat mic around your neck and reapply the clasp so that it makes contact all around.

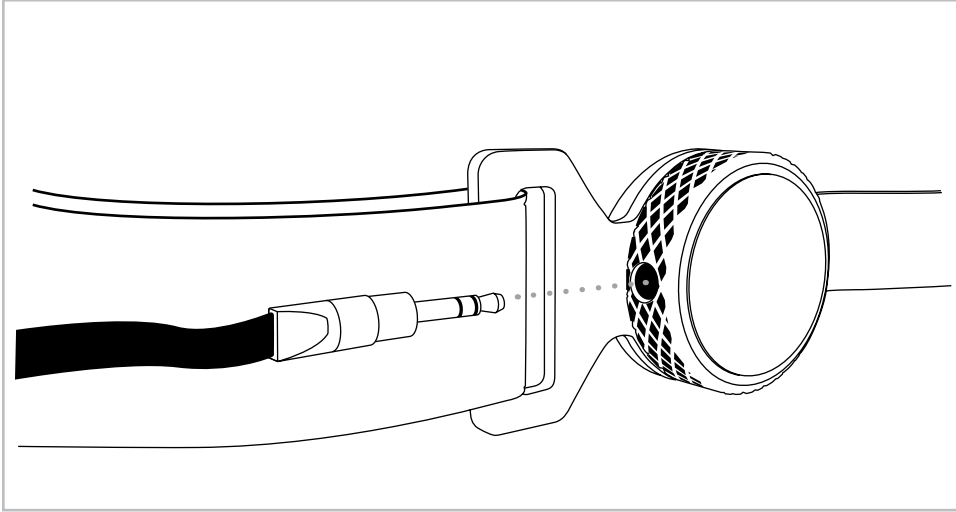


III. Adjust the neck strap for tightness by using the adjusters (E). The throat mic needs to be just snug but not tight around your neck.

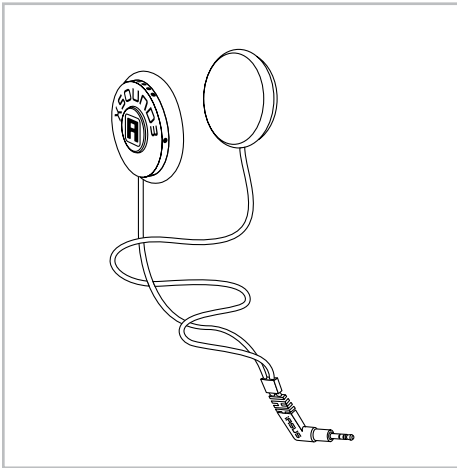
TIP: Due to variances in neck shapes and sizes, adjusting and testing the position of the throat mic will be necessary to achieve optimal performance. Pay close attention to ensure the Gen 3.0 Transponder Microphone (A) makes good contact with your throat and level with where the larynx (voice box) is located.

3.5MM OUTPUT MODULE

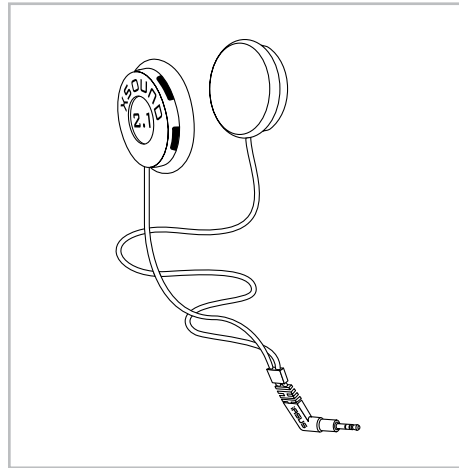
The GP3-R is equipped with a 3.5mm output module on the right side of the headset for audio output. The 3.5mm audio jack is recessed and will only accept narrow 3.5mm connectors found on IASUS XSound helmet speakers and IASUS IA earbuds, and other similar accessories.



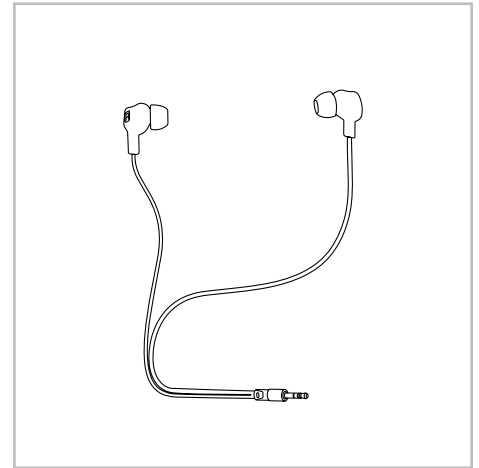
TIP: For the best possible listening experience, IASUS recommend using the GP3-R with IASUS XSound Helmet Speakers and IASUS IA Earbuds.



XSound 3 Helmet Speakers



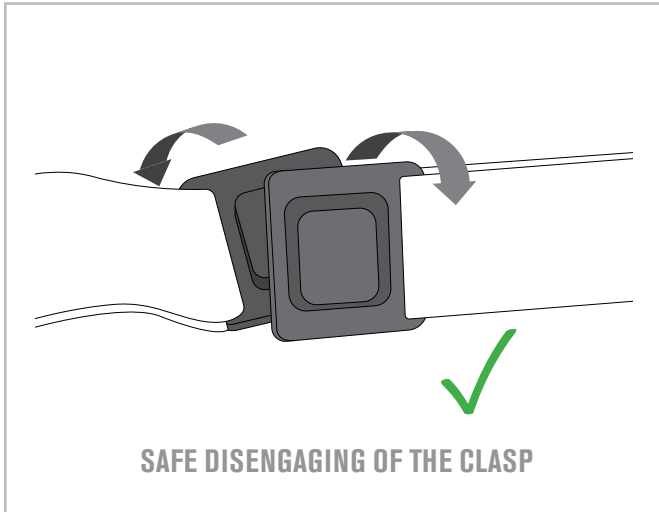
XSound 2.1 Helmet Speakers



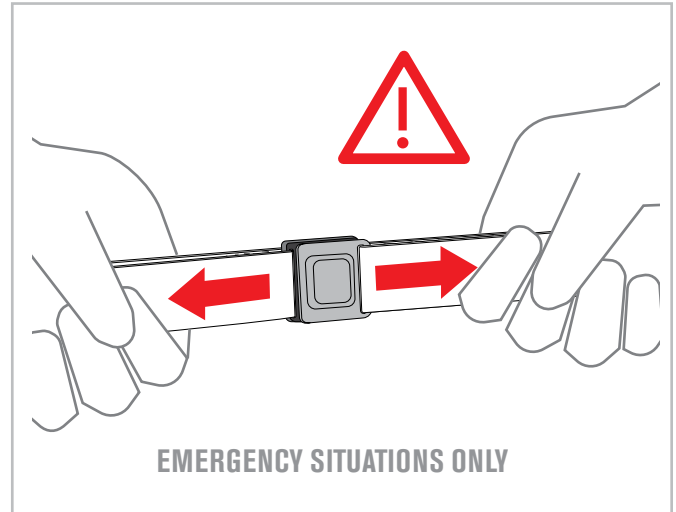
IA Earbuds

MAGNETIC BREAKAWAY CLASP

The GP3-R Throat Mic is equipped with a Magnetic Breakaway Clasp that speeds up putting it on and taking it off. As well, it allows for a quick disengagement in emergency situations.



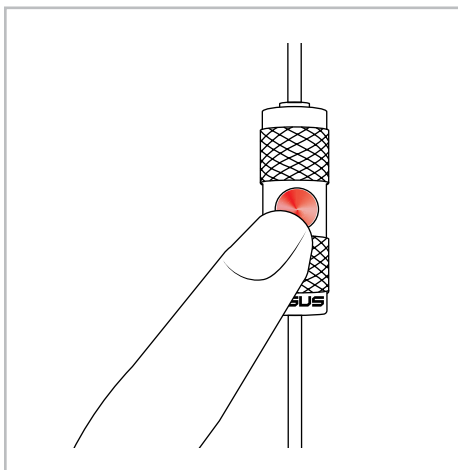
Under normal circumstances during regular use, use both hands to disengage the clasp by twisting them apart.



In the event of an emergency where removal of the GP3-R is required, pulling the neck strap apart in opposite directions will quickly disengage the clasp.

M2 ADAPTER *(Sold Separately)*

The GP3-R Throat Mic works with a variety of smartphones and two-way radios and requires a M2 Adapter to do so. For more information on using the correct adapter for your device, visit iasus-concepts.com to confirm compatibility.



NOTE: All versions of the GP3-R series of throat mics can be used with any IASUS adapters equipped with the DIN plug.

USING THE PTT BUTTON IN RADIO MODE

TO	DO THIS
Transmit	Press and hold PTT button located on the M2 adapter and talk
Receive	Release the PTT button

USING THE PTT BUTTON IN PHONE MODE

with M2 3.5mm Adapter (IA-M2ADP-F) and Phone only

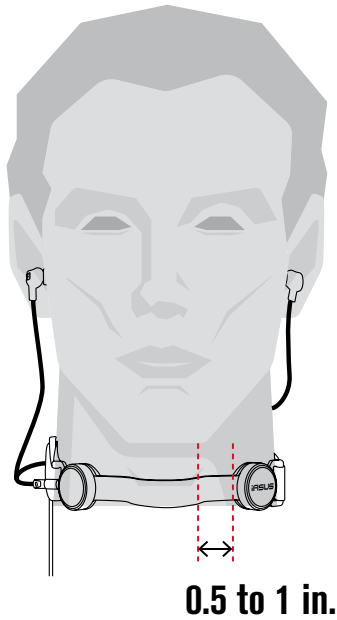
TO	DO THIS
Pick up / End call	Press PTT button once

USING THE PTT BUTTON IN MUSIC MODE

with M2 3.5mm Adapter (IA-M2ADP-F) and Phone only

TO	DO THIS
Play/Pause music	Press PTT button once
Go to the next track	Press PTT button twice
Go to the previous track	Press PTT button three times

USE AND CARE

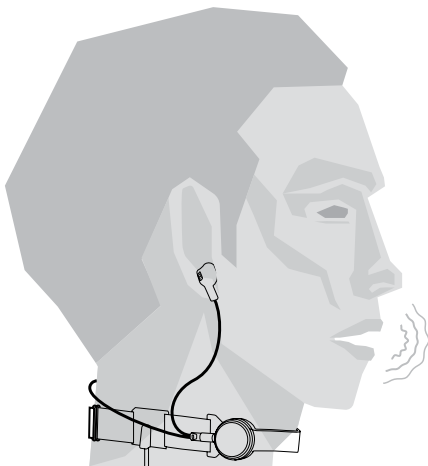


WEARING THE THROAT MIC:

For the best transmission quality when using the GP3-R, place the Gen 3.0 Transponder Microphon (A) about 0.5 - 1 inch on either side of your larynx / voice box. The optimal transponder position on the neck will vary between individuals.

The GP3-R's neck strap is adjustable. To increase or decrease the diameter, length or shorten the neck strap by using the neck strap adjusters (E).

NOTE: The transponder should rest comfortably on the neck and be contacting your neck at all times - it should not be too tight. The adjustable strap is stretchable to offer flexibility in order for the throat mic to stay in position. Do not over tighten the straps.

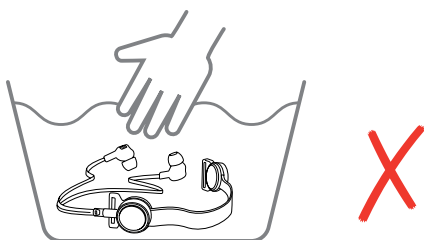
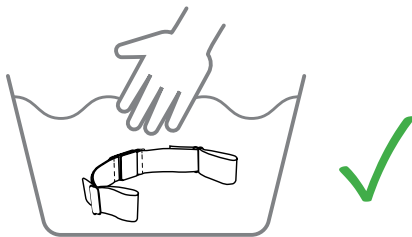


SPEAKING WITH THE THROAT MIC:

Speak in a calmly, clearly, and softly, as the Gen 3.0 Transponder microphone is very sensitive. Failing to do so will result in muffled and distorted audio on the receiving end. This is caused by the voice overpowering the microphone, and in turn, clipping the input audio.

CLEANING THE THROAT MIC:

A soiled neck strap can be removed from the GP3-R and washed with mild soap and water, then hung dry. Do not submerge the GP3-R throat mic with the adjustable neck strap in water or put into a washing machine.



IMPORTANT: While the GP3-R is rated IP65 and protected from water splashes, it is not waterproof. Do not submerge the throat mic in water.

TROUBLESHOOTING

PROBLEM	MAKE SURE THAT...
No audio or partial audio output	<ul style="list-style-type: none">• All connectors are plugged in properly.• Your radio or mobile phone is powered on and working properly.• Helmet speakers or earbud is fully inserted into the 3.5mm output jack
Cannot transmit	<ul style="list-style-type: none">• Make sure that your device is set to PTT mode and not VOX mode.• If using a radio, whether another shared channel is in use.• The transponder is positioned optimally by your larynx/voicebox and making good contact against your neck.• The adaptor connector is fully inserted into your radio or phone and that your device is on and working properly.
Cannot receive	<ul style="list-style-type: none">• If using radios, that they are on the same frequency.• Phone is powered on and working properly.• The volume on your radio or phone is not set too low.• The adaptor plug is fully inserted into your device.• The PTT button on your headset or radio is not being inadvertently depressed.• If using a radio, you are not out of range or obstructed by objects or other communicators.
Muffled and distorted audio	<ul style="list-style-type: none">• Neck strap is too tight. Adjust tightness - it only needs to be snug.• Speak calmly, clearly, and softly so not to overwhelm the sensitive transponder microphone.• Ensure the transponder is positioned correctly and sits flush against your neck.
Weak voice	<ul style="list-style-type: none">• The batteries on your radio are fully charged and operational.• The transponder is positioned correctly and sits flush against the neck.
Connector will not fit	<ul style="list-style-type: none">• Your particular model of the GP3-R and the M2 adapter is compatible with your radio or phone. <p>For more compatibility information, check with your IASUS Concepts dealer or visit the IASUS Concepts website.</p>

1-YEAR LIMITED WARRANTY

IASUS Concepts Limited warrants that the GP3-R Throat Mic sold by IASUS Concepts or its authorized agents is free from defects in materials and workmanship under normal use for one year. This warranty is only applicable to the original purchaser in possession of a dated sales document receipt that includes the name and the company from which it was purchased. This warranty is in lieu of and excludes all other warranties, expressed or implied, including any implied warranty of merchantability or fitness, and of any other obligation on the part of IASUS Concepts Limited.

WHAT THIS WARRANTY DOES NOT COVER

- Damage from improper operation, misuse, neglect such as dropping the product onto hard surfaces, contact with extreme humidity or heat, or acts of nature (lightning, floods, power surges, etc.).
- Products that may have been tested, adjusted, installed, maintained, repaired or altered in any way by persons not expressly approved by IASUS Concepts Limited.
- Cords that are stretched, burnt, torn or cut.
- Products purchased more than 12 months previous to the current date.
- Products that are not accompanied by a valid proof of purchase.

TO REGISTER FOR YOUR WARRANTY

You must register your product to receive warranty service. To do so and to view detailed information about our warranty service, please visit :

<https://iasus-concepts.com/warranty/>

TO GET WARRANTY SERVICE FROM IASUS CONCEPTS

Please contact our customer service department via our website. Once you have done so, you will receive instructions on how to ship the products to IASUS Concepts or to one of our designated service centers. If instructed to ship the product, you must ship it with freight, duties and insurance prepaid. Regardless of where you are instructed to ship your product, you must include:

- A copy of your dated sales document receipt
- A fully completed Return Materials Authorization (RMA) form.
- Payment for any services or repairs not covered by the warranty. This will have been predetermined with your customer service representative.

LEGAL INFORMATION

There is no informal dispute settlement mechanism available. This warranty gives you specific legal rights, and you may also have other rights, which vary geographically. Some areas do not allow limitations on how long an implied warranty last and/or do not allow the exclusions or limitations or consequential damages. IF this is true for your area, the above limitations or exclusions may not apply to you. IASUS Concepts shall not be liable for any special or consequential damages or for loss or expense directly or indirectly arising from use of the product, inability to use the product in combination with other equipment, or from any other cause. IASUS Concepts reserves the right to make changes in the design of the product and to make additions or improvements to it without incurring any obligation to modify any products previously sold.

FOR LATEST NEWS AND PRODUCTS,
FOLLOW US ON SOCIAL MEDIA

 /iasus.concepts

 /zerobackgroundnoise