



XSOUND 4

HIGH DEFINITION HELMET SPEAKERS

MODEL NUMBER: IAXS4

Congratulations on the purchase of your IASUS Concepts XSound 4 Helmet Speakers! You have now joined an increasing group of individuals enjoying the world's best in helmet audio.

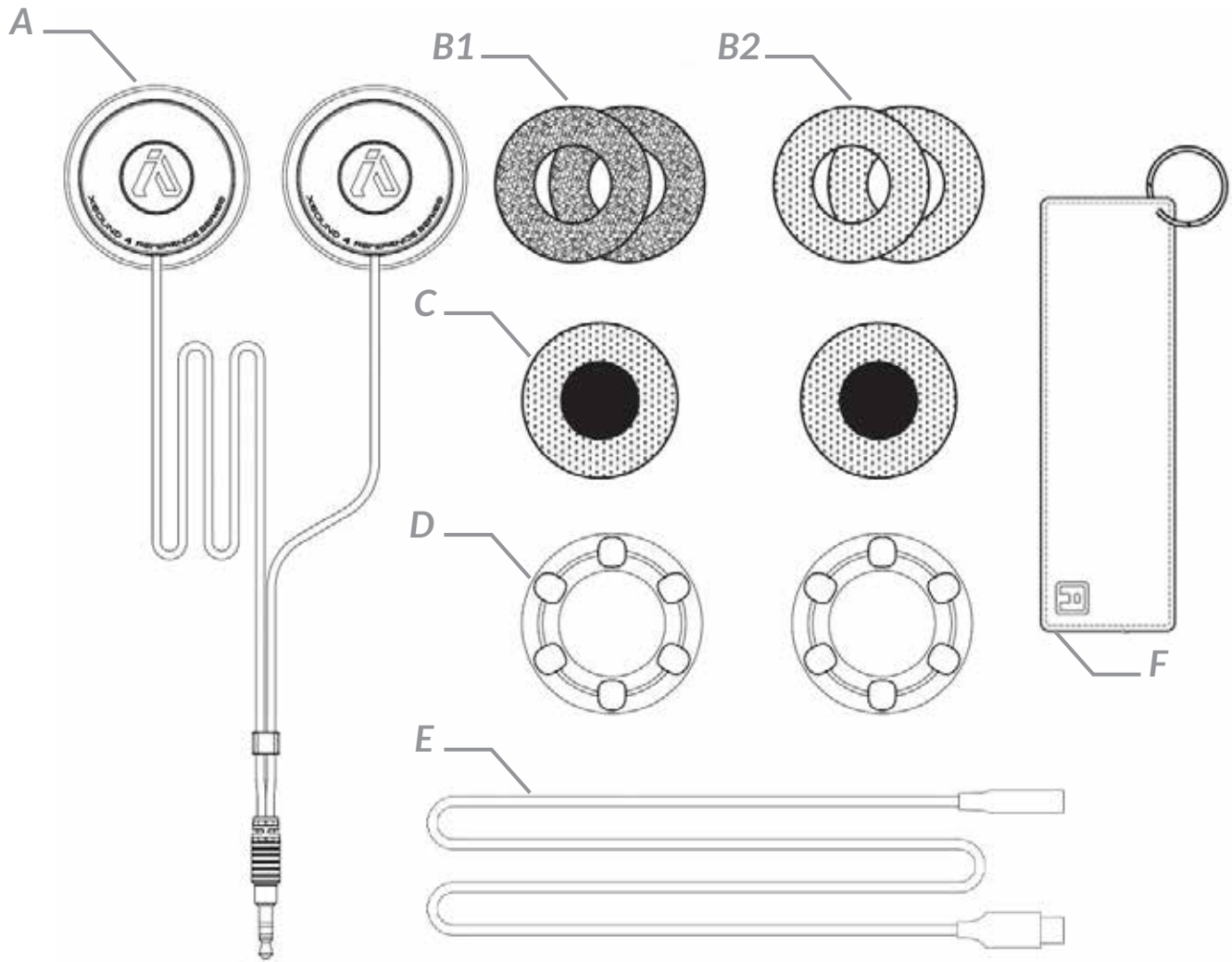
Introducing the IASUS XSound 4, a revolutionary leap in helmet audio. Our new Acoustic Flex (AF) technology solves the age-old issue of speaker positioning in helmets. Ensuring optimal acoustics, AF allows the helmet speaker to rest precisely on the surface of the ear. Even with the natural sliding of helmets, the AF cover, made of an incredibly thin and soft material, molds and positions itself to your ear's shape without additional pressure. Experience perfect positioning for hassle-free and comfortable listening.

Please review this owner's manual before use and follow our recommended installation procedures to get your XSound 4 performing at their absolute best. That's 15 years of IASUS audio design and evolution, inside your helmet.

TABLE OF CONTENTS

PACKAGE CONTENTS	3
USE & CARE.....	4
USING XSOUND 4.....	4
BEFORE INSTALLING XSOUND 4.....	5
INSTALLING XSOUND 4.....	5
TESTING THE INSTALLATION	6
EAR TAB.....	6
TROUBLESHOOTING.....	6
1-YEAR LIMITED WARRANTY	7

PACKAGE CONTENTS



- A.....XSound 4 Helmet Speakers
B1.....3M Velcro Adhesives (Loop)
B2.....3M Velcro Adhesives (Hook)
C.....Foam Pad Spacers (x2)
D.....AF Foam Covers
*pre-installed on the Xsound4 Helmet Speakers (A)

- EUSB-C to 3.5mm Extension Cable
FEar Tab & Key Chain Fob

USE & CARE

- Please follow all operating guidelines and parameters of the audio source device with which you are using the speakers.
- Keep the speakers clean and dry.
- Do not attempt to disassemble the speakers, or alter and modify the wires.
- Do not drop, knock, or shake the speakers.
- Do not use harsh chemicals, cleaning solvents, or strong detergents to clean the speakers.

CAUTION

It is dangerous to ride a motorcycle or engage in sports activities while being unaware of your surroundings. Only use your XSound 4 Helmet Speakers at volume levels at which you can still remain alert of what's around you. Please check your state and federal laws for using helmet audio while operating a motorized vehicle.

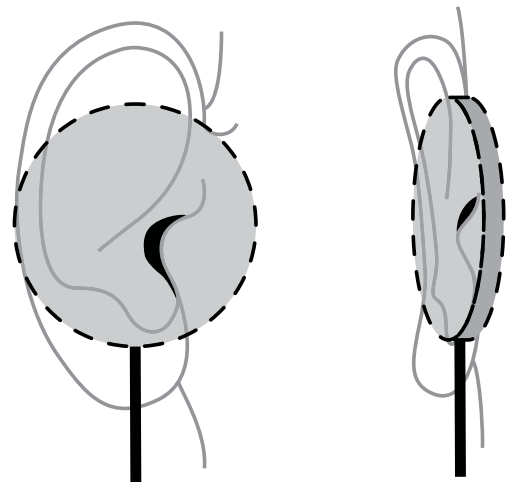
Do not operate your audio source device at high audio volumes when using XSound 4 Helmet Speakers. Hearing experts advise against continuous exposure to high volume levels. If you experience ringing in your ears, discontinue using the speakers.

USING XSOUND4

The XSound 4 is a precision crafted audio product. Therefore, they need to be installed precisely in contact and centered on your ears for accurate sound projection. **ANY GAPS AND POOR POSITIONING WILL RESULT IN POOR AUDIO QUALITY AND VOLUME FROM WIND AND OTHER AMBIENT NOISES.**

The XSound 4 was designed and tested for use with IASUS BMH Helmet Comm System, BMT Throat Mic, Stealth Throat Mic, Rekon Helmet Comm System, NT5 Throat Mic and Mobile Amplifiers, as well as smartphones, and digital media players equipped with a 3.5mm jack.

IASUS does not directly support using the XSound 4 with non-IASUS Bluetooth motorcycle headset. Please use at your own risk.



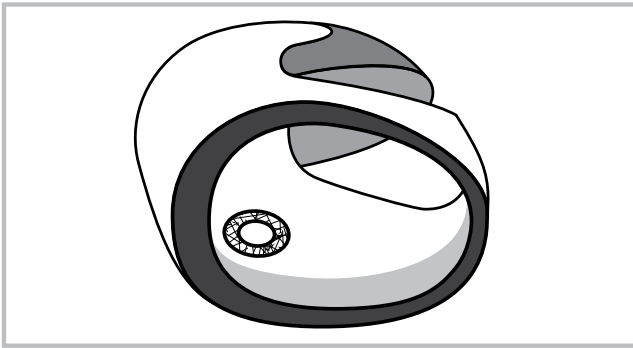
BEFORE INSTALLING XSOUND4

We strongly recommend testing your speakers outside of your helmet first before installing them by doing the following:

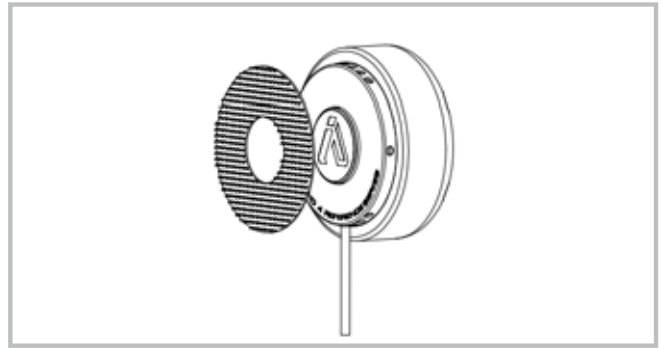
- Connect the XSound 4 directly into your smartphone's 3.5mm jack (or dongle adaptor).
- Hold the speakers in contact and centered on your ears while testing audio. **ANY GAPS WILL COMPROMISE THE AUDIO QUALITY AND VOLUME.**
- Adjust the position of the speakers on your ears until the audio sounds the best. Remember their positions.

INSTALLING XSOUND4

- 1• Wipe away any dust or debris on the surface where the XSound 4 will be installed onto.
- 2• Peel apart the Velcro adhesives (B1/B2) to reveal the loop and hook halves. They arrive in the box attached together.

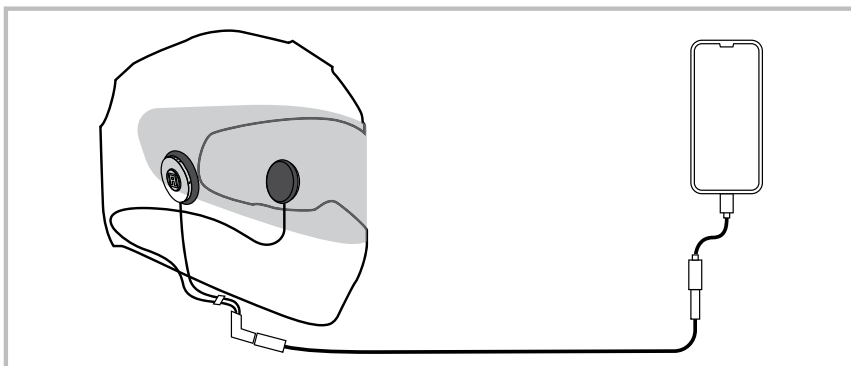


- 3• Peel away the backing paper on the loop piece (B1). Attach the loop piece into your helmet.



- 4• Peel away the backing paper on the hook piece (B2). Attach the hook piece onto the back of the XSound 4.

- 5• Place the XSound 4 (A) onto the velcro piece inside the helmet.
- 6• Repeat steps 1-5 for the other side.
- 7• Tuck the wires behind the helmet padding for a tidy installation.



- 8• Connect the XSound 4 to your audio source device. Use the 3.5mm Extension Cable (F) if necessary.

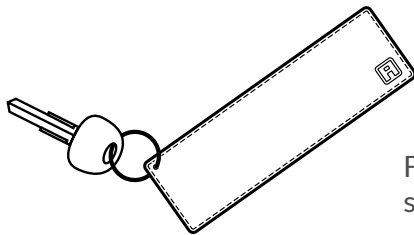
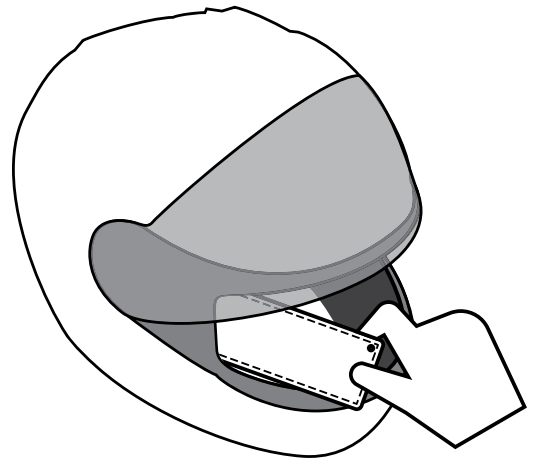
TESTING THE INSTALLATION

- Ensure the XSound 4 helmet speakers are once again fully contacting your ears and centered on them after putting your helmet on. If they are not centered, reposition the XSound 4 inside your helmet.
- If they do not make good contact, place a Foam Pad Spacer (C) in between the helmet and the XSound 4.
- For an increase in comfort, try placing the Comfort Fit Covers (E) over the Foam Covers (D).

EAR TAB

You may sometimes find that after putting on your helmet, your ears may be folded against the speakers. This will prevent the XSound 4 from making full contact on them, resulting in poor audio quality and lower volume. To remedy this, IASUS has included the Ear Tab.

To use, insert the tab on either side of your helmet's eye port. Slide it between the XSound 4 and the folded ear until it is unfolded.



For easy transport, the Ear Tab can be conveniently secured to your keys with the included key chain fob.

TROUBLESHOOTING

No Sound	<ul style="list-style-type: none">• Check your audio source device is turned on.• Check that the volume is turned up.• Check the 3.5mm connector(s) is fully inserted.
Crackling noise and/or distortions	<ul style="list-style-type: none">• Check that the volume is not set too high on audio source device.• Ensure speakers are contacting and centered on your ears.• Use foam pad spacers if necessary.• If ears are folded, use Ear Unfolding Pad.
Low volume, and/or lots of treble	<ul style="list-style-type: none">• Ensure speakers are contacting and centered on your ears and use foam pad spacers if necessary.• If ears are folded, use Ear Unfolding Pad.

For more help and troubleshooting, please visit our website iasus-concepts.com or contact us at info@iasus-concepts.com

1-YEAR LIMITED WARRANTY

IASUS Concepts Limited warrants that the XSound 4 Helmet Speakers sold by IASUS Concepts or its authorized agents is free from defects in materials and workmanship under normal use for one year. This warranty is only applicable to the original purchaser in possession of a dated sales document receipt that includes the name and the company from which it was purchased. This warranty is in lieu of and excludes all other warranties, expressed or implied, including any implied warranty of merchantability or fitness, and of any other obligation on the part of IASUS Concepts Limited.

WHAT THIS WARRANTY DOES NOT COVER

- Damage from improper operation, misuse, neglect such as dropping the product onto hard surfaces, contact with extreme humidity or heat, or acts of nature (lightning, floods, power surges, etc.).
- Products that may have been tested, adjusted, installed, maintained, repaired or altered in any way by persons not expressly approved by IASUS Concepts Limited.
- Cords that are stretched, burnt, torn or cut.
- Products purchased more than 12 months previous to the current date.
- Products that are not accompanied by a valid proof of purchase.

TO REGISTER FOR YOUR WARRANTY

You must register your product to receive warranty service. To do so and to view detailed information about our warranty service, please visit :

<https://iasus-concepts.com/warranty/>

TO GET WARRANTY SERVICE FROM IASUS CONCEPTS

Please contact our customer service department via our website. Once you have done so, you will receive instructions on how to ship the products to IASUS Concepts or to one of our designated service centers. If instructed to ship the product, you must ship it with freight, duties and insurance prepaid. Regardless of where you are instructed to ship your product, you must include:

- A copy of your dated sales document receipt
- A fully completed Return Materials Authorization (RMA) form.
- Payment for any services or repairs not covered by the warranty. This will have been predetermined with your customer service representative.

LEGAL INFORMATION

There is no informal dispute settlement mechanism available. This warranty gives you specific legal rights, and you may also have other rights, which vary geographically. Some areas do not allow limitations on how long an implied warranty last and/or do not allow the exclusions or limitations or consequential damages. IF this is true for your area, the above limitations or exclusions may not apply to you. IASUS Concepts shall not be liable for any special or consequential damages or for loss or expense directly or indirectly arising from use of the product, inability to use the product in combination with other equipment, or from any other cause. IASUS Concepts reserves the right to make changes in the design of the product and to make additions or improvements to it without incurring any obligation to modify any products previously sold.

FOR LATEST NEWS AND PRODUCTS,
FOLLOW US ON SOCIAL MEDIA

 /iasus.concepts

 /zerobackgroundnoise