



# STEALTH

## BLUETOOTH THROAT MIC HEADSET

MODEL NUMBER: IA-NT4-BASIC-BT

*Thank You* for choosing the IASUS STEALTH Throat Microphone Headset System.

In this manual, you will find instructions to operate your STEALTH Throat Microphone Headset with Bluetooth enabled devices. Should you have any questions and require assistance with setup and usage, please feel free to visit our website,

W W W . I A S U S - C O N C E P T S . C O M

or contact us directly at : [info@iasus-concepts.com](mailto:info@iasus-concepts.com)

# ABOUT THIS MANUAL

---

We recommend reviewing this manual in its entirety before using this product to get the most out of it, for a richer user experience.

## WARNINGS

---

Any changes or modifications to this unit not expressly approved by the part responsible for compliance could void the user's authority to operate the equipment,

This device complies with Part 15 of the FCC Rules. Operation is subject to the following two conditions :



1. This device may not cause harmful interference
2. This device must accept any interference received, including interference that may cause undesired operation.

## SPECIFICATIONS

---



### ←→ SUPPORTED PROFILES

|            |         |
|------------|---------|
| AVRCP 1.6  | HSP 1.2 |
| A2DP 1.3.1 | SPP 1.2 |
| HFP 1.7    | BLE 5.0 |



### BATTERY

PLAYBACK TIME ..... 9 HOURS  
CALL TIME ..... 10 HOURS  
STAND-BY TIME ..... 250 HOURS  
CHARGING TIME ..... 90 MINUTES  
CHARGING SPECS ..... 5V  
BATTERY CAPACITY ..... 150mAh



### STANDARD

Ingress Protection Rating against dust and water.  
Silicone surrounding all essential ports restricts entry of dust and dirt.



### STRAP

Adjustable & removable neck strap.  
Magnetic breakaway clasp.



### ERGONOMY

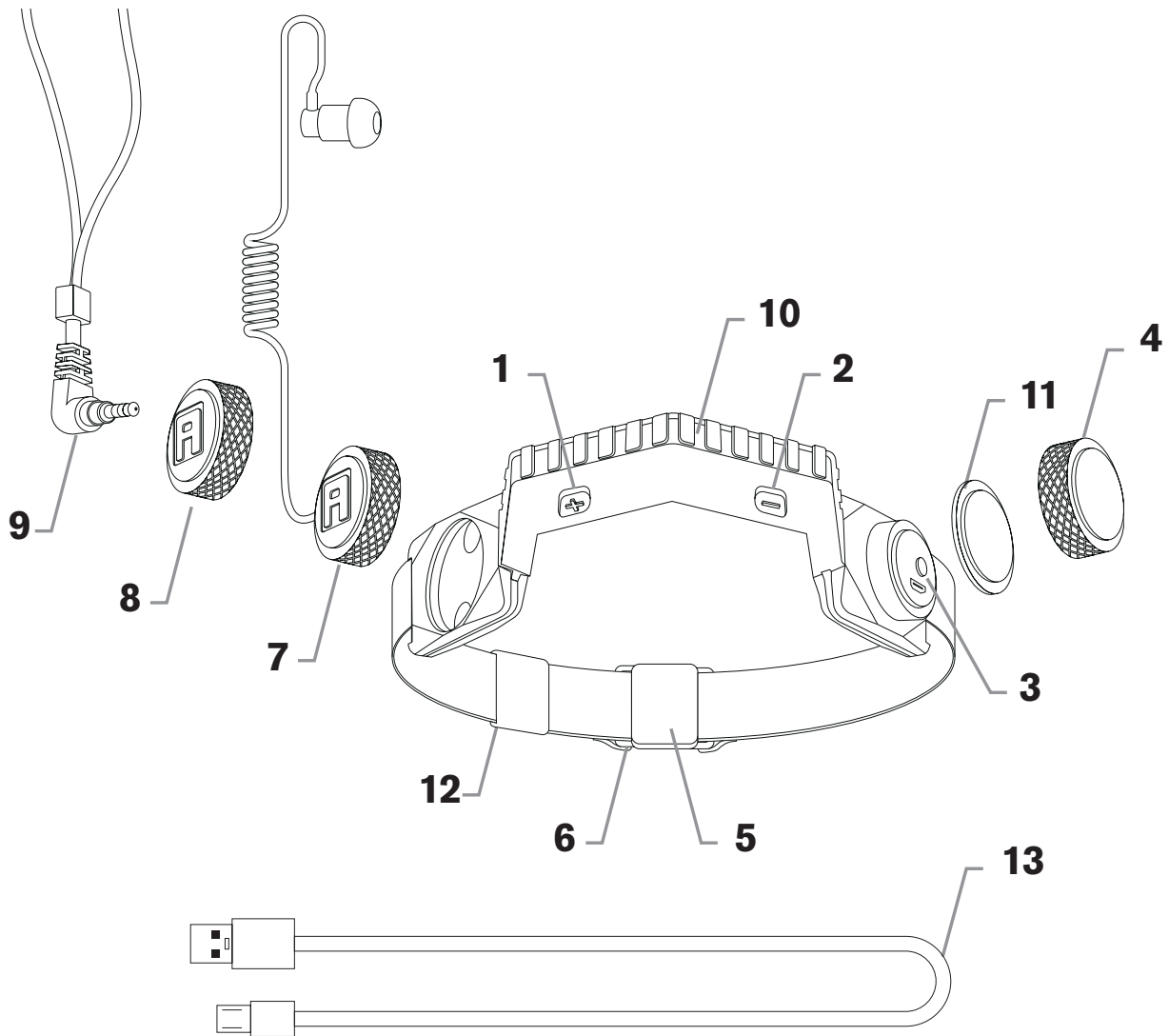
Flexible silicone wing blade design  
for a customized angle fit.

# TABLE OF CONTENTS

|   |    |
|---|----|
| PARTS & CONTROLS REFERENCE.....                           | 4  |
| ORIENTATION OF THE STEALTH DURING USAGE.....              | 5  |
| THROAT MIC OPTIMIZATION .....                             | 5  |
| BACKGROUND NOISE THROUGH<br>MULTI-MIC MOBILE DEVICES..... | 5  |
| CHARGING .....  | 6  |
| INTERCHANGEABLE MODULES.....                              | 7  |
| ELASTIC WRAP FOR ACOUSTIC COIL.....                       | 8  |
| MAGNETIC BREAKAWAY CLASP.....                             | 8  |
| PRIMARY BUTTON CAPS .....                                 | 9  |
| BLUETOOTH PAIRING.....                                    | 9  |
| PAIRING A SECOND DEVICE.....                              | 10 |
| CONTROLS .....  | 11 |
| <b>GETTING STARTED</b> .....                              | 11 |
| <b>MUSIC MODE</b> .....                                   | 12 |
| <b>PHONE MODE</b> .....                                   | 12 |
| VOLUME LEVELS ON MUSIC MODE & PHONE MODE.....             | 13 |
| LED INDICATOR DEFINITION .....                            | 13 |
| TROUBLESHOOTING.....                                      | 14 |

# PARTS & CONTROLS REFERENCE

---

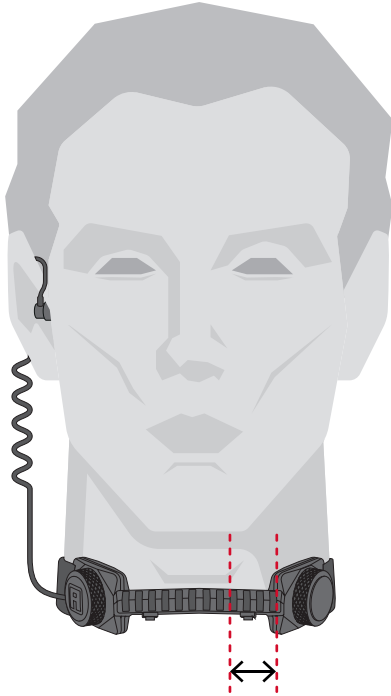


- 1 ..... + Button  
2 ..... - Button  
3 ..... Primary Button  
4 ..... Primary Button Ring with Regular Cap  
5 ..... Magnetic Clasp Base  
6 ..... Magnetic Clasp Top  
7 ..... Acoustic Coil Module  
8 ..... 3.5mm (recessed/slim jack) Module  
9 ..... Speaker 3.5mm slim connector  
(sold separately)  
10 ..... Wing  
11 ..... Opaque Cap  
12 ..... Elastic Wrap for Acoustic Coil  
13 ..... Charging Cable

**TIP:** STEALTH comes charged and ready to use.

# ORIENTATION OF THE STEALTH DURING USAGE

---



1 to 1.5 in.

When positioning the Stealth, the volume buttons on the wing should be facing downwards, while the primary button should be on the left side of the throat and the acoustic coil or 3.5mm module attachment should be on right side. The optimal position for a throat mic is about 1-1.5" to the side of the voice box where the Stealth is positioned.

The throat mic wing shape was designed for aerodynamic applications so that there would not be pressure applied to the neck under high wind situations. Ergonomics are comfortable and intuitive to use.

**NOTE:** The transponder should rest comfortably on the neck and be in contact with your neck at all times. The Stealth should not be too tight. The adjustable straps have flex in order for to maintain the Stealth in position. Do not over tighten the straps.

## THROAT MIC OPTIMIZATION

---

For users with no prior experience with throat mics, please keep in mind the sound quality will never be as clear as a standard headset. This is because the audio is created from vibrations of the larynx through the body of the throat. Since air is not the medium, nasal sounds will be absent.

The audio quality is similar to a person with a cold, hence the "muffled" sound that is commonly associated with throat mics. The Stealth benefits from a vast improvement of sound quality through our in-house advancement.

**IMPORTANT: DO NOT WEAR THE THROAT MIC AND STRAP TOO TIGHT AROUND THE NECK.**

When worn properly, the neck strap should rest on the back of the neck and only very little pressure should be felt

## BACKGROUND NOISE THROUGH MULTI-MIC MOBILE DEVICES

---

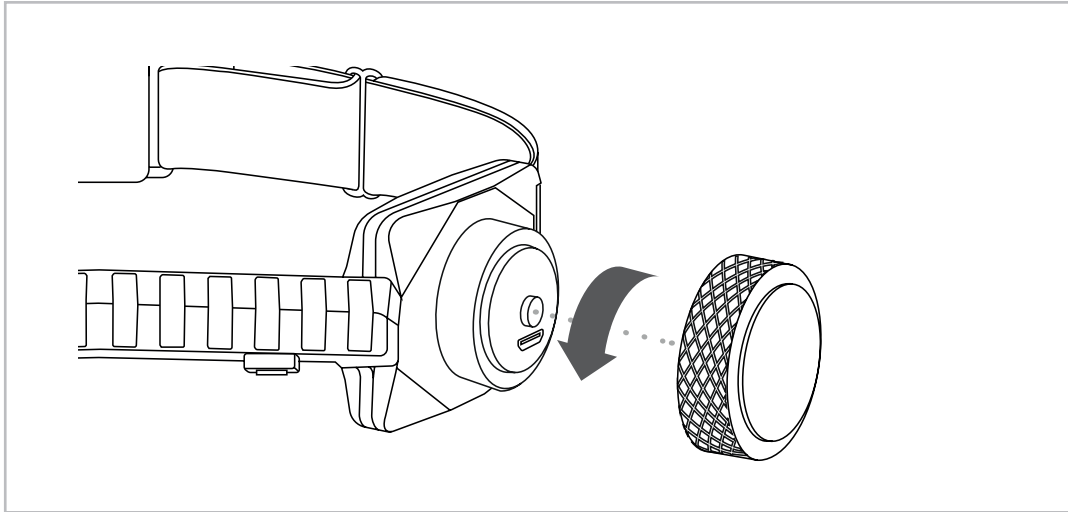
New smartphones on the market today have secondary mics, which are used in conjunction to the primary mic input for background noise cancellation.

When using a headset, the device uses the primary mic to compare to secondary mic inputs and processes accordingly. When the throat mic is not worn, the secondary mic provide slight voice inputs because no audio is picked up from the throat mic. However, once the throat mic is activated, the audio will perform back to normal.

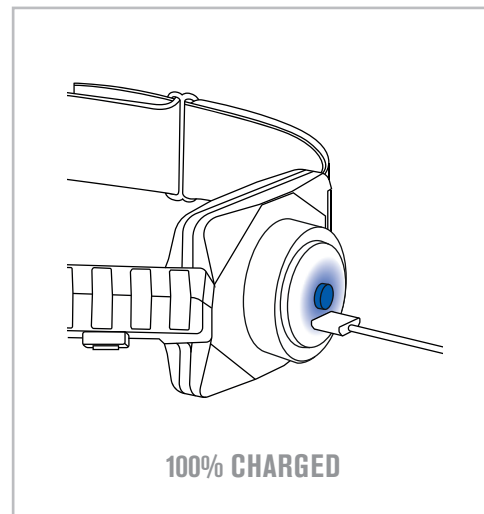
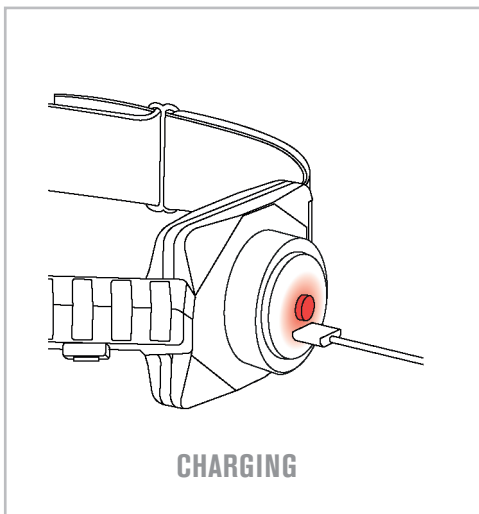
# CHARGING

---

The Stealth comes shipped from our facilities with the built-in Lithium-Ion battery already charged and ready for use. When charging is needed, connect the included USB cable to the micro-USB port covered by the Primary Button Ring.



To access the charging port, remove the Primary Button Ring by turning it counter-clockwise. A full charge takes about 90 minutes to complete and a red LED will remain lit until it is fully charged. Please note to charge with a computer USB port only.



Fast chargers (>500mA) may damage the Stealth's charging mechanism. To avoid damage to the battery, refrain from draining the battery completely and leaving it without charge for an extended amount of time.

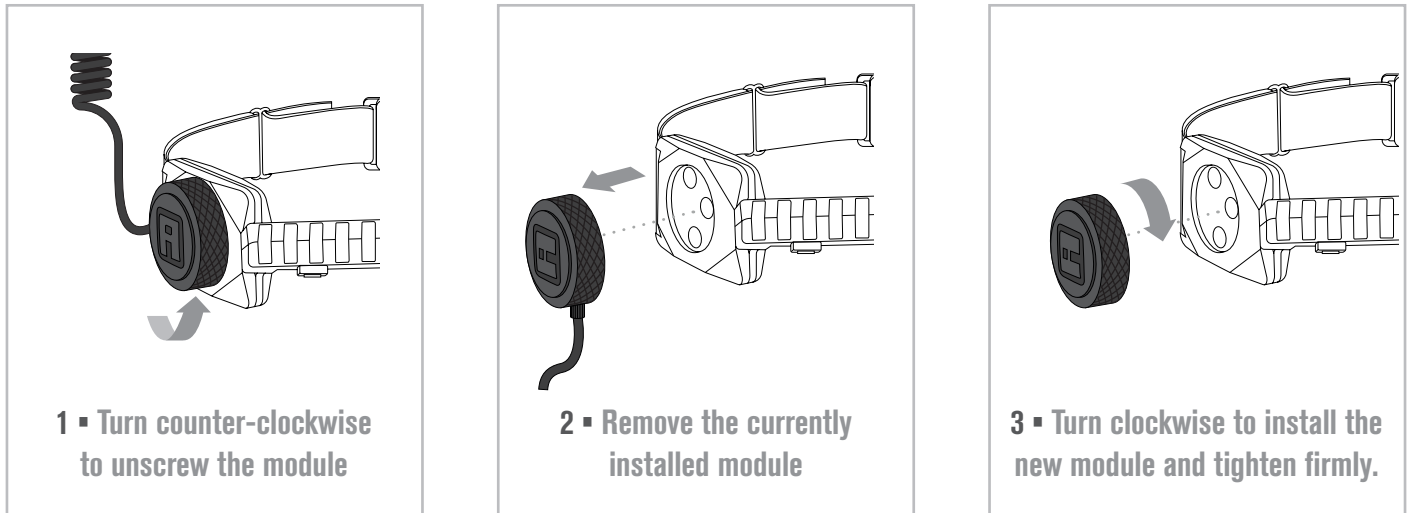
# INTERCHANGEABLE MODULES

---

The Stealth can operate with two modules for audio output :

- The acoustic coil module
- The 3.5mm recess/thin audio connector module.

To use the Stealth with helmet speakers or earbuds, please connect the 3.5mm recess/thin audio connector to the throat mic. Each module can be switched and replaced as follow:



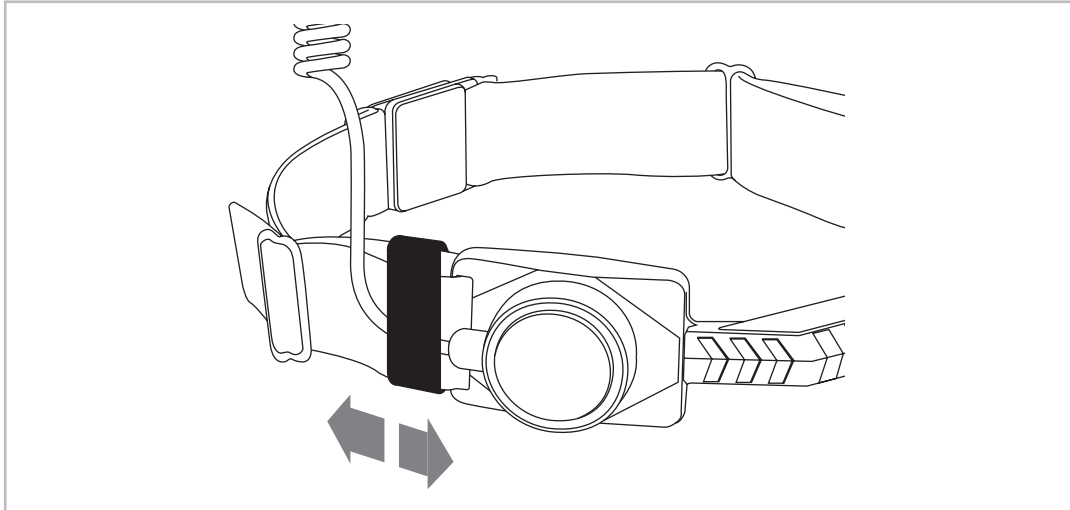
To properly attach either module, it needs to be turned clockwise and tightened firmly until the IASUS logo is horizontal and right side up. This position ensures proper alignment with the electrical contacts. It should be tightened to the point where it will not turn anymore in order for the silicon ring to maintain a waterproof seal.

**NOTE:** When connecting helmet speakers or earbuds to the iASUS helmet speaker's 3.5mm jack module, be sure to insert the plug all the way into the module until a click is felt to confirm a waterproof seal has been established.

## ELASTIC WRAP FOR ACOUSTIC COIL

---

The neck strap has an elastic loop close to the neck to prevent it flailing around during use. Simply route the acoustic coil through the loop and adjust the position.

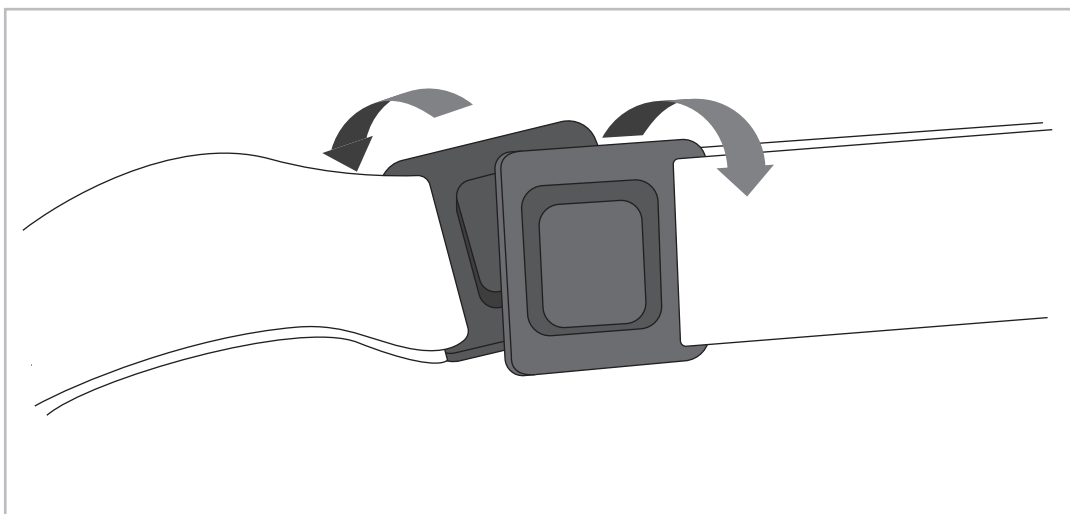


## MAGNETIC BREAKAWAY CLASP

---

The Stealth neck strap is equipped with a magnetic breakaway clasp, designed for emergency situations when a rapid removal of the headset is required. This is done by pulling on either strap away from the other to disengage.

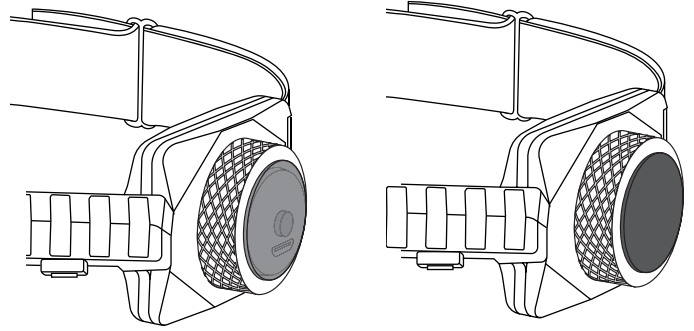
Under normal usage, always separate the top clasp from the base clasp with a twisting motion – left hand pushing down and right hand twisting up. Only a very light force is required. Disengaging the clasps any other way during normal every day usage is unnecessary and not recommended.





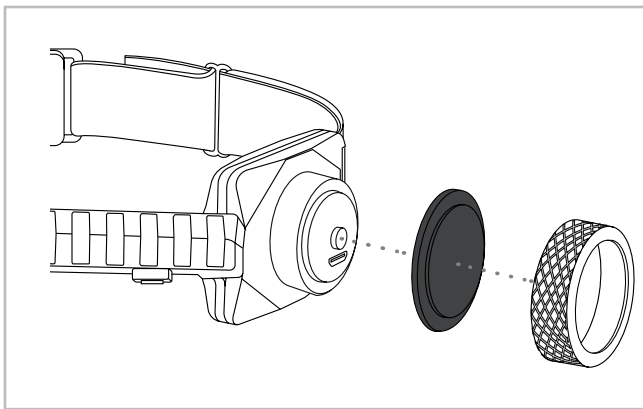
# PRIMARY BUTTON CAPS

Included with the Stealth are two interchangeable Primary Button Caps. The purpose of these two caps is to alter the visibility of the indicator LED. The regular cap allows the LED to shine through while the opaque cap blocks it. You may wish to swap in the appropriate cap depending on your use of the Stealth.



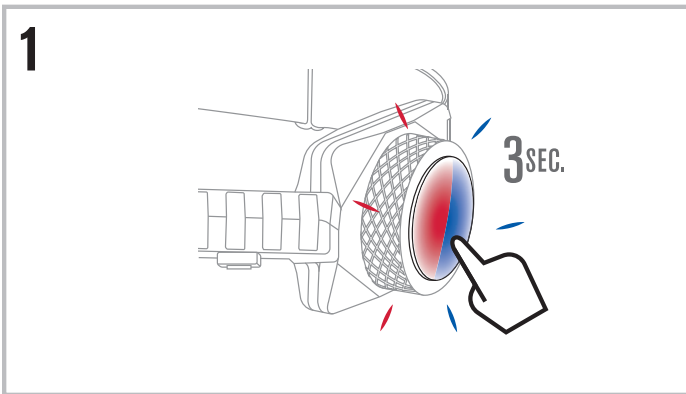
REGULAR CAP

OPAQUE CAP



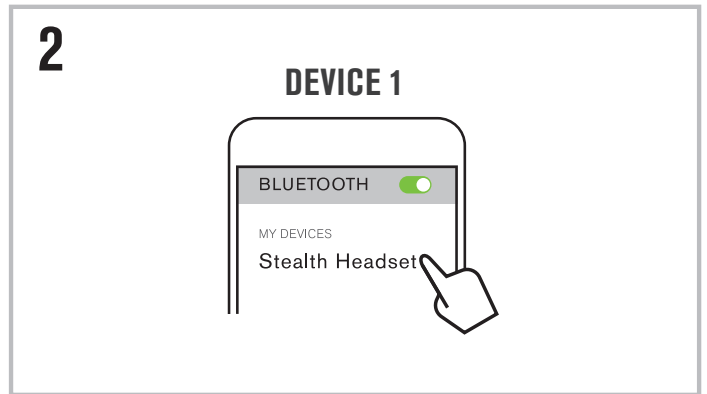
To switch caps, turn the Primary Button Ring counter-clockwise, replace the cap, and tighten the ring.

# BLUETOOTH PAIRING



## TURN PAIRING MODE ON

Press and Hold Primary Button for at least 3 second until LED flashes Red and Blue with an audible pairing tone.



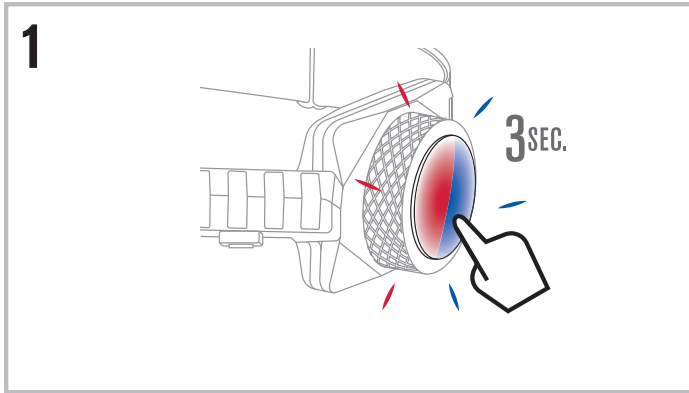
## PAIR DEVICE

Find "STEALTH" in the list of available devices in the Bluetooth menu of the device you are pairing.

The STEALTH uses standard Bluetooth 5.0 protocols. When paired with newer devices, there is no need to enter a passcode. For older Bluetooth equipped devices, enter the code "0000"

A list of supported protocols can be references in the Specifications section.

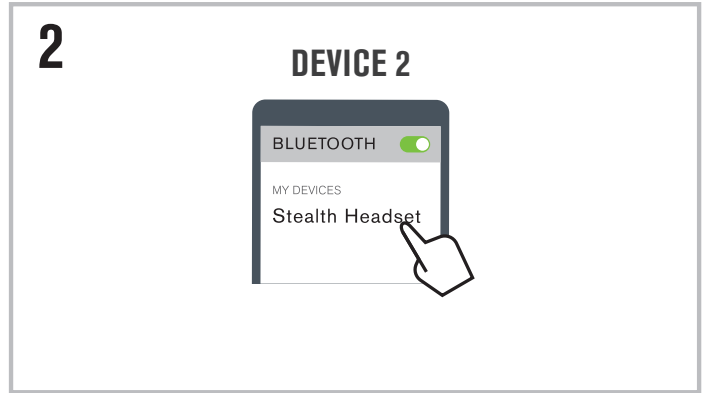
# PAIRING A SECOND DEVICE



## TURN PAIRING MODE ON

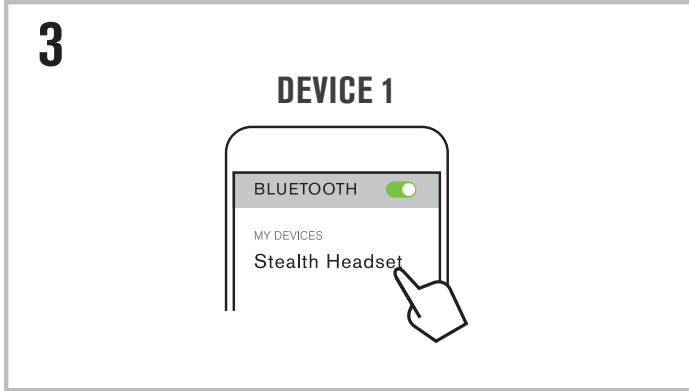
The IASUS STEALTH allows for pairing with two Bluetooth enabled devices at the same time (smart phone, GPS, mp3 player, etc.)

To pair a second device, after STEALTH is paired with the first device, press and hold the Primary Button for at least 3 seconds to get into pairing mode.



## PAIR SECOND DEVICE

Find "STEALTH" in the list of available devices in the Bluetooth menu in the device you are pairing.



## RECONNECT FIRST DEVICE

Pairing the second device will disconnect STEALTH from the first device - this is normal. Go to your first device's Bluetooth settings and manually reconnect to STEALTH.

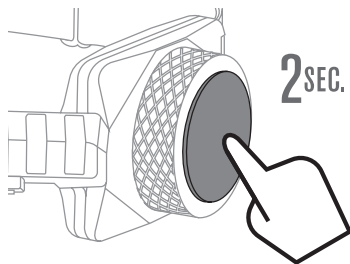
# CONTROLS


The STEALTH is carefully designed and built on 3 main user actions to achieve a minimalistic appearance.

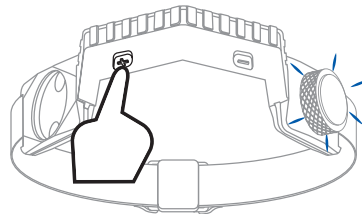
- The Primary Button, located on the left side of the neck, has a silicone cap that doubles as an LED indicator when activated
- A pair of + and - control buttons for volume control and skipping tracks located on the bottom of the wing

All controls were designed for glove application.

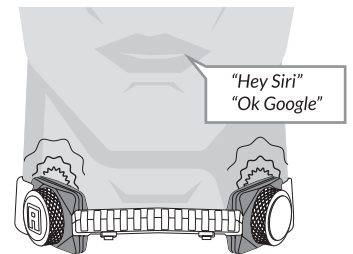
## GETTING STARTED



 **POWER ON**  
Press & hold Primary Button for 2 seconds

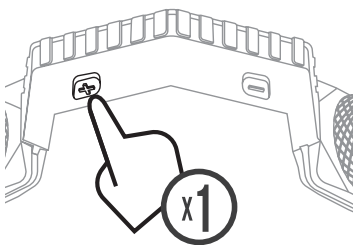


 **POWER OFF**  
Hold  until the blue LED stops flashing

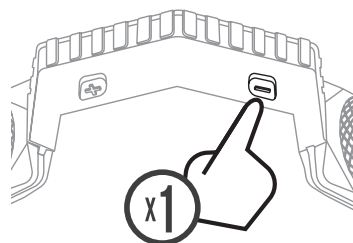


 **VOICE COMMAND**  
Say 'Hey Siri' on iPhones\* or 'Ok Google/Hey Google' on Android phones\*

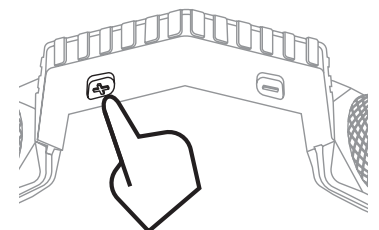
*\*Ensure that Voice Command is activated in your device's settings menu.*



 **VOLUME UP**  
Press  once



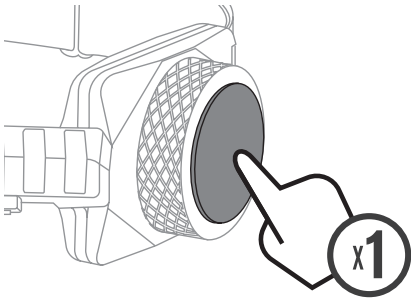
 **VOLUME DOWN**  
Press  once



 **ACTIVATE SIRI**  
Press  hold for 3 seconds

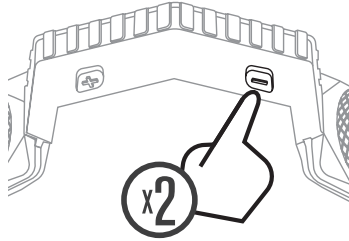
## MUSIC MODE

---



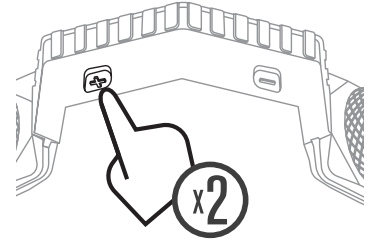
### **PLAY / PAUSE MUSIC**

Press Primary Button once



### **PREVIOUS TRACK**

Press  twice and release

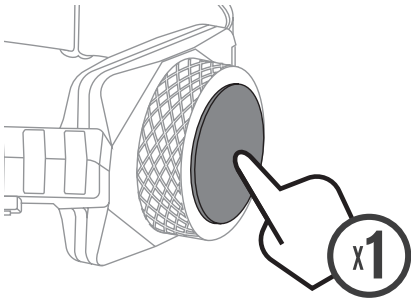


### **NEXT TRACK**

Press  twice and release

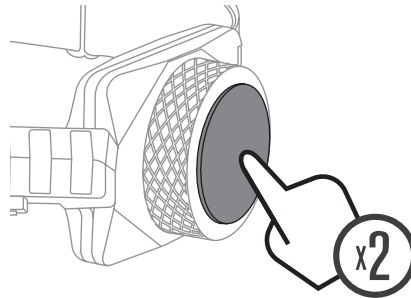
## PHONE MODE

---





### **ANSWER/END CALL**

Press Primary Button once



### **REDIAL**

Press Primary Button twice and release

Once paired for standard communication with a mobile device, the Primary Button is also used to answer/end a phone call. The two buttons underneath the front wing blade are for volume  and . When pressed once and released, a beep confirms the change in volume.

NOTE: Holding the  will power off the Stealth.

# VOLUME LEVELS ON MUSIC MODE & PHONE MODE

---








During Music Mode (music playback), STEALTH's volume level is adjusted independently of the phone's Bluetooth playback volume. During a phone call, STEALTH's volume and the phone's volume are linked, following standard Bluetooth protocol.

**TIP:** If you experience low volume on Music Mode, be sure the volume is turned up on your phone as well as on STEALTH.

**Example:** When adjusting STEALTH's volume in Music Mode, the phone's Bluetooth volume is not affected. However, in Phone Mode, adjusting STEALTH's volume during a call affects the phone's Bluetooth volume as well.

# LED INDICATOR DEFINITION

---

|   |  |   |
|---|--|---|
|    | <b>1 FLASH EVERY SECOND</b>                        | <ul style="list-style-type: none"><li>• STEALTH NOT PAIRED WITH ANY BLUETOOTH DEVICE</li></ul>      |
|  | <b>1 FLASH EVERY 2 SECONDS</b>                     | <ul style="list-style-type: none"><li>• PAIRED</li><li>• PHONE OR MUSIC PROFILE CONNECTED</li></ul> |
|  | <b>2 FLASHES EVERY 2 SECONDS<br/>ON MUSIC MODE</b> | <ul style="list-style-type: none"><li>• PLAYING BACK MUSIC</li></ul>                                |
|  | <b>1 FLASH EVERY SECOND<br/>ON PHONE MODE</b>      | <ul style="list-style-type: none"><li>• ON A PHONE CALL</li></ul>                                   |
|  | <b>FLASH ALTERNATELY</b>                           | <ul style="list-style-type: none"><li>• PAIRING MODE. STEALTH READY TO PAIR WITH DEVICE</li></ul>   |
|  | <b>FLASHING</b>                                    | <ul style="list-style-type: none"><li>• LOW BATTERY</li></ul>                                       |
|  | <b>SOLID LIGHT</b>                                 | <ul style="list-style-type: none"><li>• CHARGING</li></ul>  |

# TROUBLESHOOTING

| QUESTION  | SOLUTION  |
|---|---|
| <p>I paired the Stealth to my PC and when Windows tried to automatically install the drivers for the Stealth, it comes back with multiple “Bluetooth Peripheral Device – No Driver Found” errors. Where can I find the drivers?</p> | <p>This means Windows was not able to find any Bluetooth drivers for your PC hardware. Please ensure you have your computer manufacturer’s Bluetooth driver installed and try to pair the Stealth again. It should automatically install all Bluetooth related functionalities of the Stealth upon pairing.</p>   |
| <p>I do not get any sound with my Acoustic Coil or Helmet Speakers.</p>   | <ul style="list-style-type: none"><li>• Please ensure the selected module is screwed on tightly. Check the outer edge of the module is lined up with its base and the IASUS logo is perfectly horizontal. This position ensure a proper connection with the headset.</li><li>• When using the 3.5mm jack module, insert the the speakers or earbuds gently. Do not force the plug too far into the module as it may damage the inside. Use only helmet speakers or earbuds equipped with a slim 3.5mm plug.</li></ul> |
| <p>My voice sounds distorted and muffled on the other party’s device.</p>   | <p>Try speaking in a low volume and in a soft, calm and clear manner. Loud volume will overwhelm the sensitive transponder microphone resulting in clipping of audio levels.</p>  |
| <p>The volume coming out of the helmet speakers or earbuds are too soft even when the volume level on the Stealth is at the loudest.</p>  | <p>Turn up the volume on your device during music playback. In Music Mode, the phone’s Bluetooth volume level is independent of the Stealth’s.</p>  |
| <p>The volume coming out of the Acoustic Coil sounds very low.</p>  | <p>Use an ear plug for your other ear when using Stealth in loud environments. In this scenario, your other ear becomes the dominant ear, making it difficult to get the audio from the Acoustic Coil.</p>  |
| <p>How can I clean the necks trap?</p>  | <p>The neck strap can be taken off of the Stealth headset to wash by hand or put into a washer and dryer.</p>   |

---

FOR LATEST NEWS AND PRODUCTS,  
FOLLOW US ON SOCIAL MEDIA



[/iasus.concepts](#)



[/iasusconcept](#)